

intermediate pump - series XV

X2I-2

SHAPED FINAL PUMP
SHAPED FEMALE $\varnothing 36,5$ FLANGE

X 2 I 51 72 P P O D

Series	X	series XV
Group	2	group 2
Category	I	intermediate pump
Displacement	51	17
Flange	72	$\varnothing 36.5$ body-shaped female right rotation 2P+2P
Shaft	P	SCI01 - Intermediate
Body	IN	inlet - $\varnothing 40 \varnothing 20$ M8
	OUT	outlet - $\varnothing 30 \varnothing 13.5$ M6
Cover	D	$\varnothing 36,5$ body-shaped female cover for left multiple pump element



XI202

Technical data table

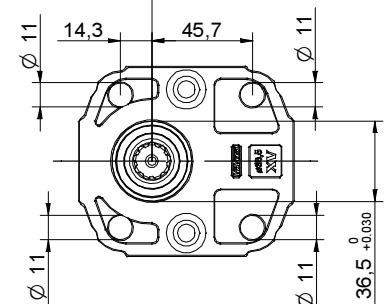
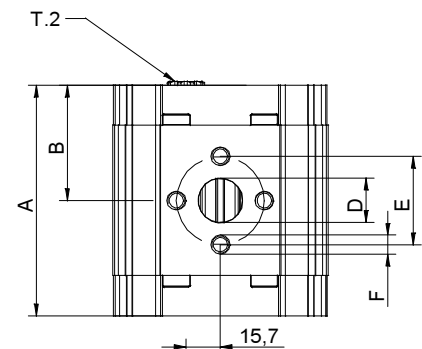
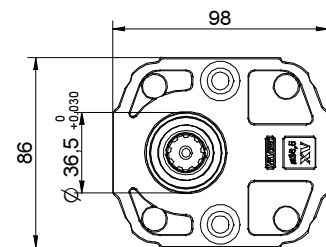
TYPE	Displacement cm3/rev	Max. Pressure		CODE	
		P1 bar	P3 bar	Left rotation	Right rotation
X2I-2/04	4,20	260	300	X 2 I 41 71 P O O D	X 2 I 41 72 P O O D
X2I-2/06	6,00	260	300	X 2 I 43 71 P O O D	X 2 I 43 72 P O O D
X2I-2/09	8,40	260	300	X 2 I 45 71 P O O D	X 2 I 45 72 P O O D
X2I-2/11	10,80	260	300	X 2 I 47 71 P O O D	X 2 I 47 72 P O O D
X2I-2/14	14,40	250	290	X 2 I 49 71 P O D D	X 2 I 49 72 P P O D
X2I-2/17	16,80	230	270	X 2 I 51 71 P P O D	X 2 I 51 72 P P O D
X2I-2/19	19,20	210	250	X 2 I 53 71 P P O D	X 2 I 53 72 P P O D
X2I-2/22	22,80	200	240	X 2 I 55 71 P P O D	X 2 I 55 72 P P O D
X2I-2/26	26,20	170	210	X 2 I 57 71 P Q P D	X 2 I 57 72 P Q P D
X2I-2/30	30,00	160	200	X 2 I 59 71 P Q P D	X 2 I 59 72 P Q P D
X2I-2/34	34,20	150	190	X 2 I 61 71 P Q P D	X 2 I 61 72 P Q P D
X2I-2/40	39,60	140	180	X 2 I 63 71 P Q P D	X 2 I 63 72 P Q P D

P1) Max. working pressure - P3) Max. peak pressure

For heavy-duty applications, it is recommended to check the admissible torque of the shaft

Dimensions table

TYPE	Weight kg	A	B	D	E	F	D	E	F
		mm	mm	IN			OUT		
X2I-2/04	2,200	83,4	41,7	$\varnothing 13,5$	30	M6x1	$\varnothing 13,5$	30	M6x1
X2I-2/06	2,300	86,4	43,2	$\varnothing 13,5$	30	M6x1	$\varnothing 13,5$	30	M6x1
X2I-2/09	2,400	90,4	45,2	$\varnothing 13,5$	30	M6x1	$\varnothing 13,5$	30	M6x1
X2I-2/11	2,500	94,4	47,2	$\varnothing 13,5$	30	M6x1	$\varnothing 13,5$	30	M6x1
X2I-2/14	2,700	100,4	50,2	$\varnothing 20$	40	M8X1,25	$\varnothing 13,5$	30	M6x1
X2I-2/17	2,800	104,4	52,2	$\varnothing 20$	40	M8X1,25	$\varnothing 13,5$	30	M6x1
X2I-2/19	2,900	108,4	54,2	$\varnothing 20$	40	M8X1,25	$\varnothing 13,5$	30	M6x1
X2I-2/22	3,050	114,4	57,2	$\varnothing 20$	40	M8X1,25	$\varnothing 13,5$	30	M6x1
X2I-2/26	3,150	118,4	59,2	$\varnothing 23,5$	40	M8X1,25	$\varnothing 20$	40	M8X1,25
X2I-2/30	3,400	126,4	63,2	$\varnothing 23,5$	40	M8X1,25	$\varnothing 20$	40	M8X1,25
X2I-2/34	3,600	133,4	66,7	$\varnothing 23,5$	40	M8X1,25	$\varnothing 20$	40	M8X1,25
X2I-2/40	3,800	142,4	71,2	$\varnothing 23,5$	40	M8X1,25	$\varnothing 20$	40	M8X1,25



29/04/08 X2I5172PP01.dft

T.2 = 86.2 [Nm] - admissible shaft torque (N.B. When choosing a shaft, always check the admissible torque).

Table of variations

X2I-2

Shaped female $\varnothing 36.5$ FLANGE

Shaped female $\varnothing 36.5$ FLANGE				Shaft		Cover		
Left rotation		Right rotation				Left rotation	Right rotation	
	71		72	SCI01 - Splined $T.2 = 86.2$ [Nm] $m=1.6$ $Z=9$ DIN 5482 - 17x14 	P			A
								D

Displacement	
TYPE	CODE
X2I-2/04	41
X2I-2/06	43
X2I-2/09	45
X2I-2/11	47
X2I-2/14	49
X2I-2/17	51
X2I-2/19	53
X2I-2/22	55
X2I-2/26	57
X2I-2/30	59
X2I-2/34	61
X2I-2/40	63

Standard bodies				
Displacement cm3/rev	Standard threads			
	4	O - O	S - R	B - B
6	O - O	S - R	B - B	L - M
9	O - O	S - R	B - B	L - M
11	O - O	S - R	B - B	L - M
14	P - O	S - R	C - B	L - M
17	P - O	S - R	C - B	L - M
19	P - O	S - R	C - B	L - M
22	P - O	S - R	C - B	L - M
26	Q - P	S - R	D - C	L - M
30	Q - P	S - S	D - C	L - M
34	Q - P	S - S	D - C	L - M
40	Q - P	S - S	D - C	L - M

Table showing standard flange and thread combinations available in stock

Body (threads/flanges)													
	A		B		C		D		E		F		G
	H		I		L		M		N		O		P
	Q		R		S		T		U		V	Closed Body	Z