

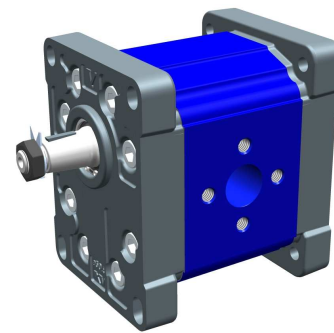
entrainment pump - series XV

X3T

EUROPEAN STANDARD DRIVING PUMP
 ø50.8 FLANGE - TAPER SHAFT

X 3 T 78 02 A B B A

Series	X	series XV
Group	3	group 3
Category	T	entrainment pump
Displacement	78	38
Flange	02	Ø50.8 right rotation
Shaft	A	COP01 - Tapered 1:8 - ø22 - key thk.4
Body	IN	inlet - Ø51 Ø27 M10
	OUT	outlet - Ø51 Ø27 M10
Cover	A	ø50,8 female cover for left multiple pump element



- X3I-3
- X3F-3
- X2I-2
- X2F-2
- X1I-2
- X1F-2
- X0I-2
- X0F-2

XT301

Technical data table

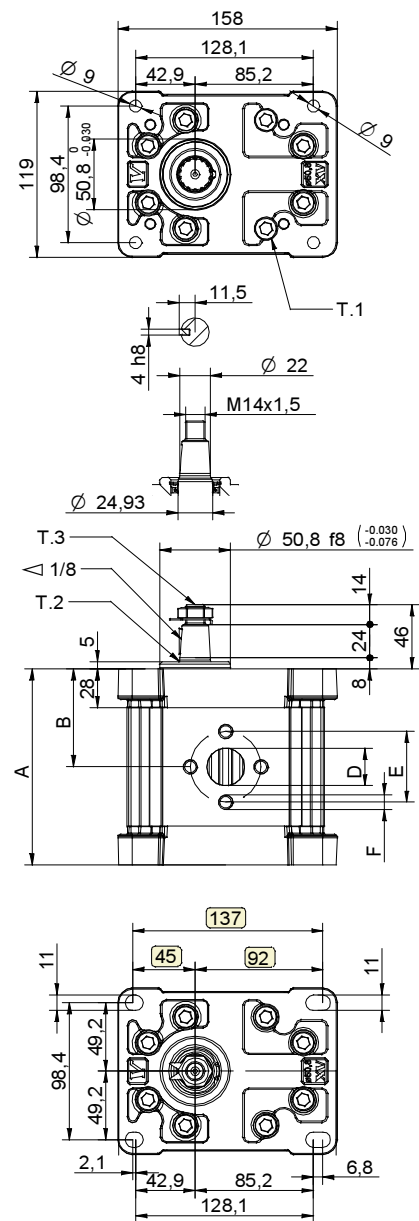
TYPE	Displacement cm3/rev	Max. Pressure		CODE																	
		P1 bar	P3 bar	Left rotation			Right rotation														
X3T/15	14,89	300	320	X	3	T	66	01	A	A	A	A	X	3	T	66	02	A	A	A	A
X3T/18	17,37	300	320	X	3	T	68	01	A	A	A	A	X	3	T	68	02	A	A	A	A
X3T/21	21,10	280	300	X	3	T	70	01	A	A	A	A	X	3	T	70	02	A	A	A	A
X3T/27	26,97	250	270	X	3	T	72	01	A	A	A	A	X	3	T	72	02	A	A	A	A
X3T/32	32,27	250	270	X	3	T	74	01	A	B	B	A	X	3	T	74	02	A	B	B	A
X3T/38	38,47	250	270	X	3	T	78	01	A	B	B	A	X	3	T	78	02	A	B	B	A
X3T/43	43,44	250	270	X	3	T	79	01	A	B	B	A	X	3	T	79	02	A	B	B	A
X3T/47	47,16	230	250	X	3	T	80	01	A	B	B	A	X	3	T	80	02	A	B	B	A
X3T/51	50,88	230	250	X	3	T	81	01	A	B	B	A	X	3	T	81	02	A	B	B	A
X3T/54	54,60	230	250	X	3	T	82	01	A	B	B	A	X	3	T	82	02	A	B	B	A
X3T/61	60,81	230	250	X	3	T	83	01	A	C	C	A	X	3	T	83	02	A	C	C	A
X3T/64	64,53	210	230	X	3	T	85	01	A	C	C	A	X	3	T	85	02	A	C	C	A
X3T/70	70,74	200	220	X	3	T	86	01	A	C	C	A	X	3	T	86	02	A	C	C	A
X3T/74	74,46	180	200	X	3	T	87	01	A	C	C	A	X	3	T	87	02	A	C	C	A
X3T/90	86,87	150	170	X	3	T	89	01	A	C	C	A	X	3	T	89	02	A	C	C	A

P1) Max. working pressure - P3) Max. peak pressure

For heavy-duty applications, it is recommended to check the admissible torque of the shaft

Dimensions table

TYPE	Weight kg	A	B	D	E	F	D	E	F
		mm	mm	IN			OUT		
X3T/15	7,010	122,0	61,0	ø20	40	M8	ø20	40	M8
X3T/18	7,070	124,0	62,0	ø20	40	M8	ø20	40	M8
X3T/21	7,150	127,0	63,5	ø20	40	M8	ø20	40	M8
X3T/27	7,250	131,0	65,5	ø20	40	M8	ø20	40	M8
X3T/32	7,390	136,0	68,0	ø27	51	M10	ø27	51	M10
X3T/38	7,520	141,0	70,5	ø27	51	M10	ø27	51	M10
X3T/43	7,630	145,0	72,5	ø27	51	M10	ø27	51	M10
X3T/47	7,710	148,0	74,0	ø27	51	M10	ø27	51	M10
X3T/51	7,790	151,0	75,5	ø27	51	M10	ø27	51	M10
X3T/54	7,870	154,0	77,0	ø27	51	M10	ø27	51	M10
X3T/61	8,010	159,0	79,5	ø36	62	M10	ø36	62	M10
X3T/64	8,090	162,0	81,0	ø36	62	M10	ø36	62	M10
X3T/70	8,220	167,0	83,5	ø36	62	M10	ø36	62	M10
X3T/74	8,300	170,0	85,0	ø36	62	M10	ø36	62	M10
X3T/90	8,570	180,0	90,0	ø36	62	M10	ø36	62	M10



T.1 = 60÷65 [Nm] - screw tightening torque M10

T.3 = 75 [Nm] - torque wrench setting 22

T.2 = 482 [Nm] - admissible shaft torque (N.B. When choosing a shaft, always check the admissible torque).

Table of variations

X3T

ø50.8 FLANGE

ø50.8 FLANGE		Shaft		Cover	
Left rotation	Right rotation			Left rotation	Right rotation
		COP01 - Tapered T.2 = 482 [Nm] 	CIP01 - Parallel T.2 = 181 [Nm] 		
01	02	A	B		A
		SCP03 - Splined T.2 = 223 [Nm] 	CIP04 - Parallel T.2 = 180 [Nm] 		
		C	H		
		SCP04 - Splined T.2 = 264 [Nm] 			
		I			

Displacement	
TYPE	CODE
X3T/15	66
X3T/18	68
X3T/21	70
X3T/27	72
X3T/32	74
X3T/38	78
X3T/43	79
X3T/47	80
X3T/51	81
X3T/54	82
X3T/61	83
X3T/64	85
X3T/70	86
X3T/74	87
X3T/90	89

Standard bodies				
Displacement cm3/rev	Standard threads			
	15	A - A	D - D	H - H
18	A - A	D - D	H - H	
21	A - A	D - D	H - H	
27	A - A	E - E	H - H	
32	B - B	E - E	H - H	
38	B - B	E - E	H - H	
43	B - B	E - E	H - H	
47	B - B	E - E	H - H	
51	B - B	E - E	H - H	
54	B - B	E - E	H - H	
61	C - C	F - F		
64	C - C	F - F		
70	C - C	F - F		
74	C - C	F - F		
90	C - C	F - F		

Table showing standard flange and thread combinations available in stock

Body (threads/flanges)													
	A		B		C		D		E		F		G
	H		I		L		M		N		O		P
Closed Body	Z												